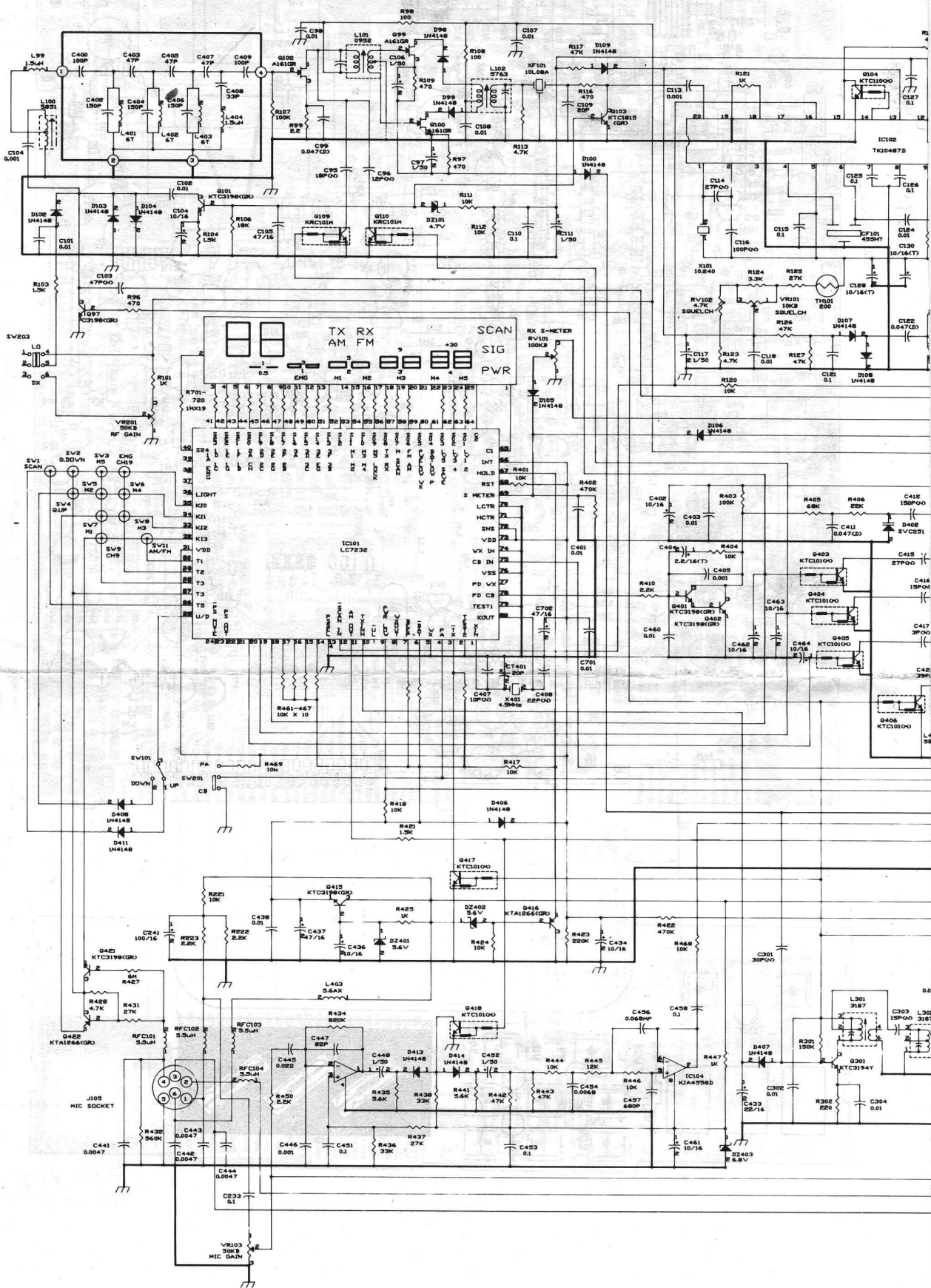


SCHEMATIC DIAGRAM

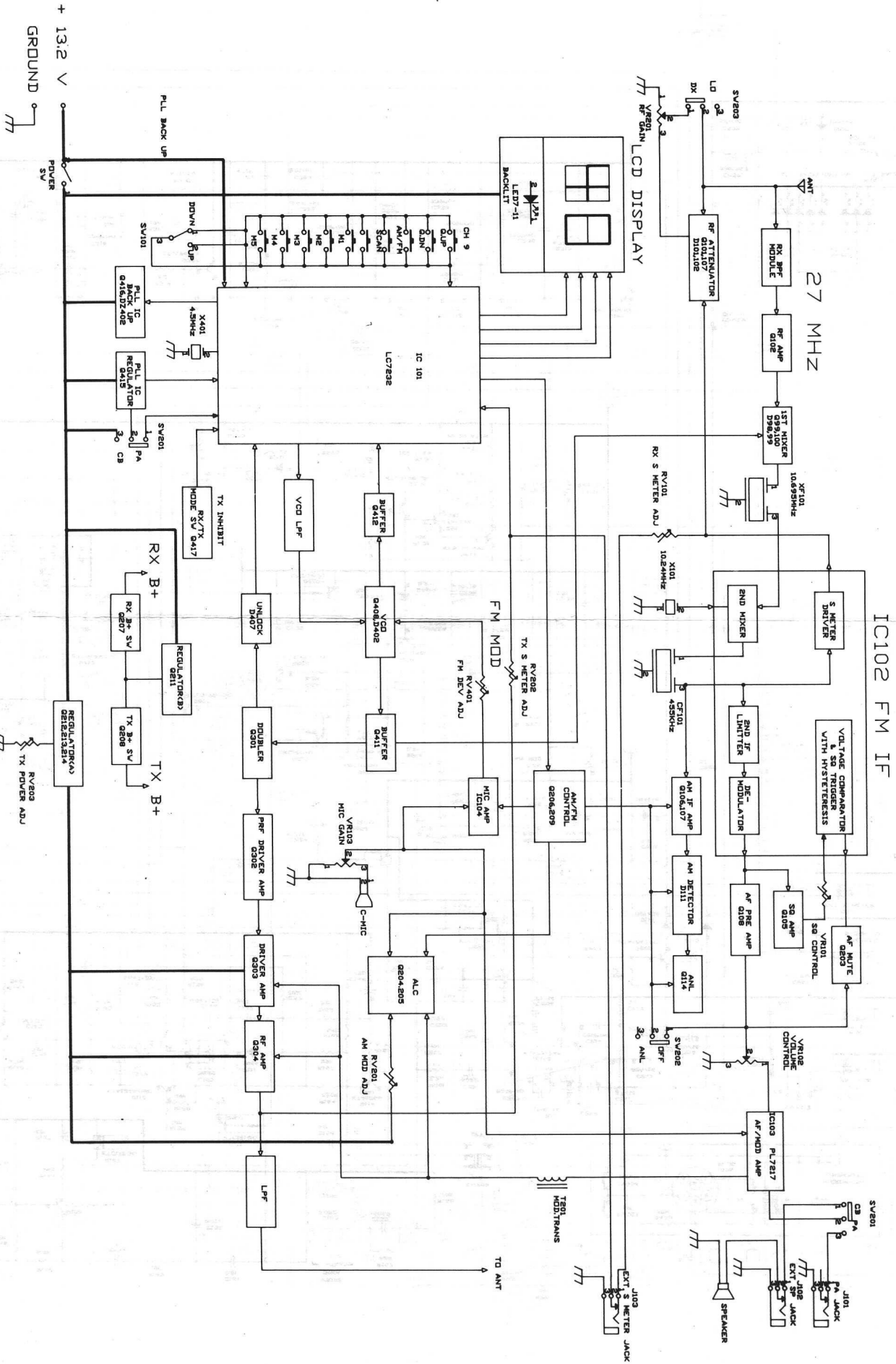
Printed in Thailand
943498AA



PCB LAYOUT BY ALAN 48 PLUS

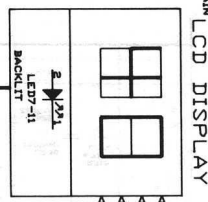
ALAN 48 PLUS

BLOCK DIAGRAM



IC102 FM IF

27 MHz



SW201

CB PA

PA JACK

EXT SP JACK

EXT SP JACK

VOLUME CONTROL

AF/MD AMP

IC103

PL7217

AF/MD AMP

IC109

PL7217

AF/MD AMP

IC103

PL7217

AF/MD AMP

IC109

PL7217

AF/MD AMP

IC103

PL7217

AF/MD AMP

IC109

PL7217

AF/MD AMP

IC103

PL7217

AF/MD AMP

IC109

PL7217

AF/MD AMP

IC103

PL7217

AF/MD AMP

IC109

PL7217

AF/MD AMP

IC103

PL7217

AF/MD AMP

IC109

PL7217

PCB LAYOUT

